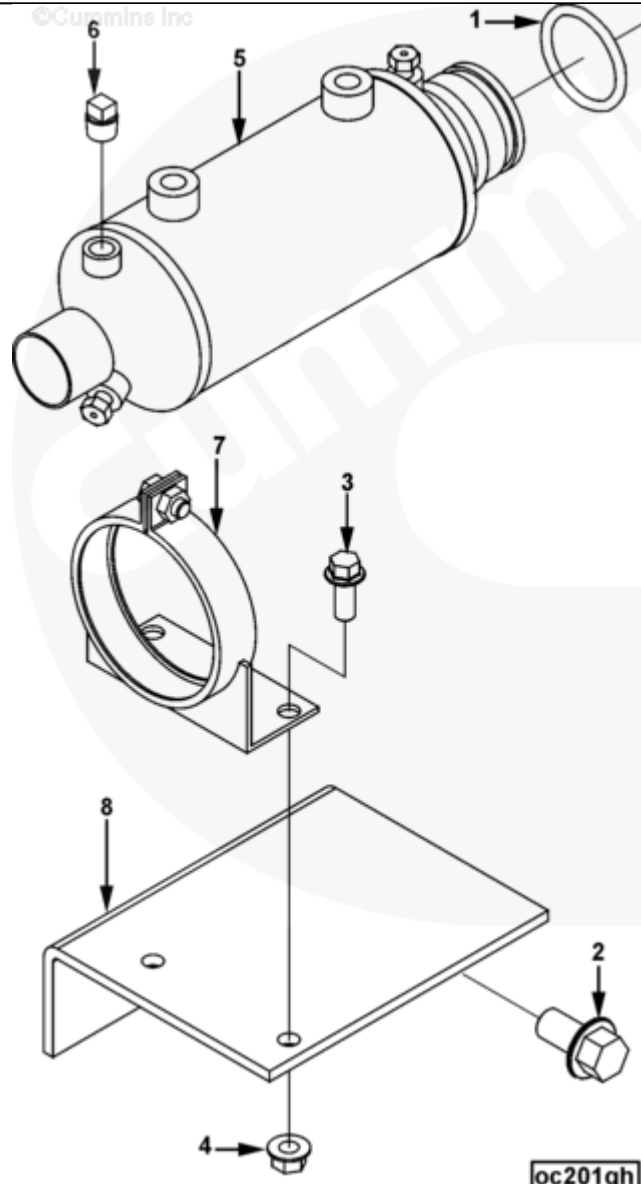




# Parts Catalog - Option Detail

Electronic Parts Catalog - Option Detail				
Option	Group	Graphic	Film Card	Date
OC2001-04	16.05.4	oc201gh	II	15-AUG-03
<b>Engines</b>	ISM CM570, ISM CM570/870, ISM CM875, ISM CM876, ISM CM876 E, ISM11 CM876 M103, ISM11 CM876 SN, M11 CELECT, M11 CELECT PLUS, M11 MECHANICAL, QSM11 CM570, QSM11 CM876			



SMALL | MEDIUM | LARGE

Cart	Ref No	Part Number	Part Description	Required	Remarks
<a href="#">View My Cart</a>					
		<a href="#">OC2001-04</a>	Marine Gear Oil Cooler		

					Marine Gear Oil Cooler
					Marine Gear Oil Cooler for
					Use with Sea Water Cooled
					Engines
					Sea Wtr Inlet/Outlet: 50.8mm
					(2")
					Sea Wtr Flow: 100 GPM
					Heat Rejection Capability:
					30.8 KW
<input type="checkbox"/>	1	<a href="#">3028291</a>	O-Ring Seal	1	
<input type="checkbox"/>	2	<a href="#">3089324</a>	Hexagon Flange Head Cap Screw	2	M16 X 2.00 X 30.
<input type="checkbox"/>	3	<a href="#">3902460</a>	Hexagon Flange Head Cap Screw	2	M10 X 1.50 X 25.
<input type="checkbox"/>	4	<a href="#">3902662</a>	Hexagon Flange Nut	2	M10 x 1.50
<input type="checkbox"/>	5	<a href="#">4003582</a>	Oil Cooler	1	
<input type="checkbox"/>	6	<a href="#">3957921</a>	Zinc Electrode Plug	1	
<input type="checkbox"/>	7	<a href="#">4003585</a>	Oil Cooler Bracket	1	
<input type="checkbox"/>	8	<a href="#">4078992</a>	Oil Cooler Bracket	1	